

BACKGROUND

All doors need a gap between the perimeter of the door and the door frame to allow the door to function correctly. These gaps allow doors to be opened and closed easily and accommodate any expansion/movement within the building.

Consequently these gaps also allow sound, smoke, fire heat (hot and cold) etc. to permeate through the doorset assembly.

PRODUCT RANGE

Available in 2.1m lengths in the following colours:



Longer lengths to suit larger sizes are available to order.

APPROVED DOC E

The acoustic requirements for doorsets are set out in the above document, and specifies what must be achieved in order to be compliant within th building regulations.

The FAS range of acoustic corner seals have been specially designed to provide an effective barrier to seal perimeter gaps in pedestrian doorsets assemblies. Achieving a noise reduction of Rw39dB (tested). In addition our acoustic sound corner seals have also been smoke tested in accordance with BS 476 Part 31.1 and BS EN 1634 Part 4.

The fitting of an acoustic perimeter seal will help to dramatically improve the effectiveness of the doorset assembly, in terms of noise permeation, smoke and air movement through the perimeter gap.

TABLE OF TEST EVIDENCE

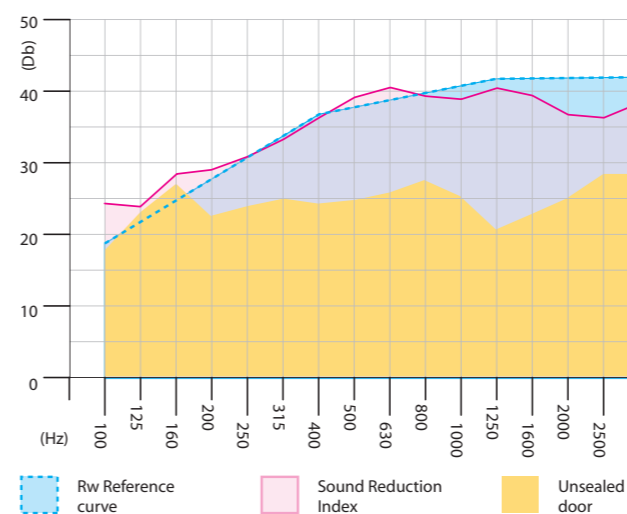
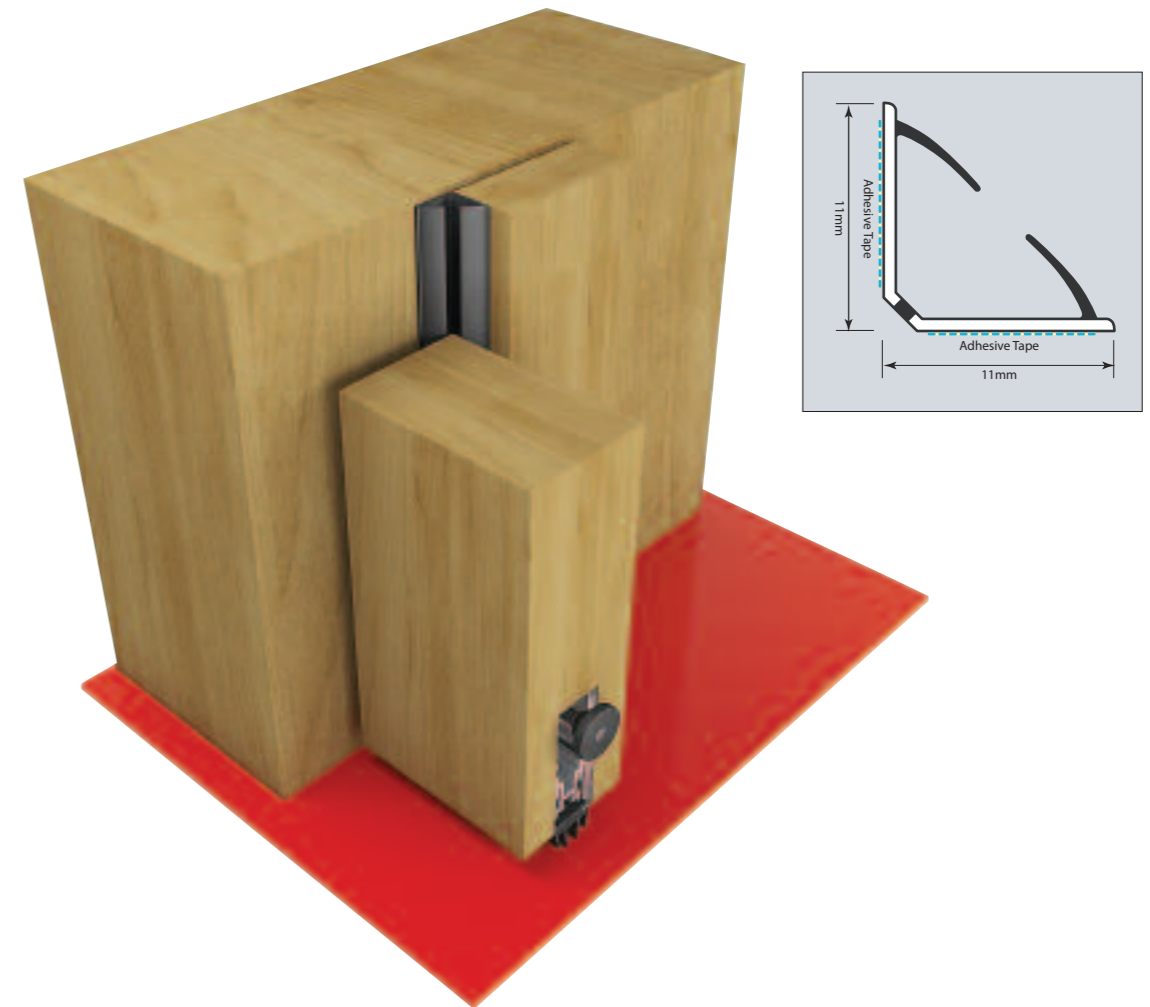
CORE TYPE	THICKNESS	GLAZED/UNGLAZED	SINGLE/DOUBLE	NOISE REDUCTION
Strebord	54mm	Glazed	Single	36Db
Strebord (Safeguard)	54mm	Glazed	Single	36Db
Flamebreak	54mm	Glazed	Single	36Db
Premdor	54mm	Glazed	Single	36Db
Flamebreak	54mm	Glazed	Pair	36Db
Strebord (Safeguard)	54mm	Flush	Single	35Db
Premdor	54mm	Glazed	Pair	35Db
Strebord	54mm	Glazed	Pair	35Db
Strebord	44mm	Glazed	Single	35Db
Strebord (Safeguard)	44mm	Glazed	Single	35Db
Strebord	44mm	Glazed	Pair	35Db
Premdor	54mm	Flush	Single	34Db
Premdor	54mm	Flush	Pair	34Db
Strebord (Safeguard)	44mm	Flush	Single	34Db
Strebord	54mm	Flush	Single	33Db
Strebord	54mm	Flush	Pair	33Db
Flamebreak	54mm	Flush	Pair	33Db
Strebord	44mm	Flush	Single	33Db
Premdor	44mm	Glazed	Single	33Db
Premdor	44mm	Glazed	Pair	33Db
Flamebreak	54mm	Flush	Single	32Db
Strebord	44mm	Flush	Pair	32Db
Flamebreak	44mm	Glazed	Single	32Db
Flamebreak	44mm	Glazed	Pair	32Db
Premdor	44mm	Flush	Single	31Db
Flamebreak	44mm	Flush	Single	30Db
Premdor	44mm	Flush	Pair	30Db
Flamebreak	44mm	Flush	Pair	29Db

APPLICATION

- Pedestrian doorsets, single and double leaf constructions
- Surface mounted substrates: timber, steel, composite materials
- Latched and unlatched doors
- New build or retro-fit applications

PRODUCT FEATURES

- Rigid legs with a flexible hinged corner makes FAS Corner Seal the easiest to fit corner seal on the market
- Excellent compression and deflection performance
- Low closing forces due to low co-efficient material used in integral fins
- Supplied with a high performance adhesive backing



ACOUSTIC PERFORMANCE

Testing undertaken in accordance with BS EN ISO 240-3:1995 revealed a timber doorset assembly with no seals fitted around the perimeter of the doorset achieved a Rw23dB rating. This falls well below the minimum specified in Approved Document E which is Rw29dB. When tested again with FAS Corner Seal in conjunction with FAS Drop Down there was an increase in the performance to Rw39dB (Tested) depending on doorsets. Please check test table for exact results.



ACOUSTIC SEALS: FAS SOUND CORNER SEAL



ACOUSTIC SEALS: FAS SOUND CORNER SEAL



BACKGROUND

All doors need a gap between the perimeter of the door and the door frame to allow the door to function correctly. These gaps allow doors to be opened and closed easily and accommodate any expansion/movement within the building.

Consequently these gaps also allow sound, smoke, fire heat (hot and cold) etc. to permeate through the doorset assembly.

PRODUCT RANGE

Available in 2.1m lengths in the following colours:

BROWN

WHITE

BLACK

Longer lengths to suit larger sizes are available to order.

TABLE OF TEST EVIDENCE

CORE TYPE	THICKNESS	GLAZED/UNGLAZED	SINGLE/DOUBLE	NOISE REDUCTION
Strebord	54mm	Glazed	Single	36Db
Strebord (Safeguard)	54mm	Glazed	Single	36Db
Flamebreak	54mm	Glazed	Single	36Db
Premdor	54mm	Glazed	Single	36Db
Flamebreak	54mm	Glazed	Pair	36Db
Strebord (Safeguard)	54mm	Flush	Single	35Db
Premdor	54mm	Glazed	Pair	35Db
Strebord	54mm	Glazed	Pair	35Db
Strebord	44mm	Glazed	Single	35Db
Strebord (Safeguard)	44mm	Glazed	Single	35Db
Strebord	44mm	Glazed	Pair	35Db
Premdor	54mm	Flush	Single	34Db
Premdor	54mm	Flush	Pair	34Db
Strebord (Safeguard)	44mm	Flush	Single	34Db
Strebord	54mm	Flush	Single	33Db
Strebord	54mm	Flush	Pair	33Db
Flamebreak	54mm	Flush	Pair	33Db
Strebord	44mm	Flush	Single	33Db
Premdor	44mm	Glazed	Single	33Db
Premdor	44mm	Glazed	Pair	33Db
Flamebreak	54mm	Flush	Single	32Db
Strebord	44mm	Flush	Pair	32Db
Flamebreak	44mm	Glazed	Single	32Db
Flamebreak	44mm	Glazed	Pair	32Db
Premdor	44mm	Flush	Single	31Db
Flamebreak	44mm	Flush	Single	30Db
Premdor	44mm	Flush	Pair	30Db
Flamebreak	44mm	Flush	Pair	29Db

APPROVED DOC E

The acoustic requirements for doorsets are set out in the above document, and specifies what must be achieved in order to be compliant within th building regulations.

The FAS range of acoustic corner seals have been specially designed to provide an effective barrier to seal perimeter gaps in pedestrian doorsets assemblies. Achieving a noise reduction of Rw39dB (tested). In addition our acoustic sound corner seals have also been smoke tested in accordance with BS 476 Part 31.1 and BS EN 1634 Part 4.

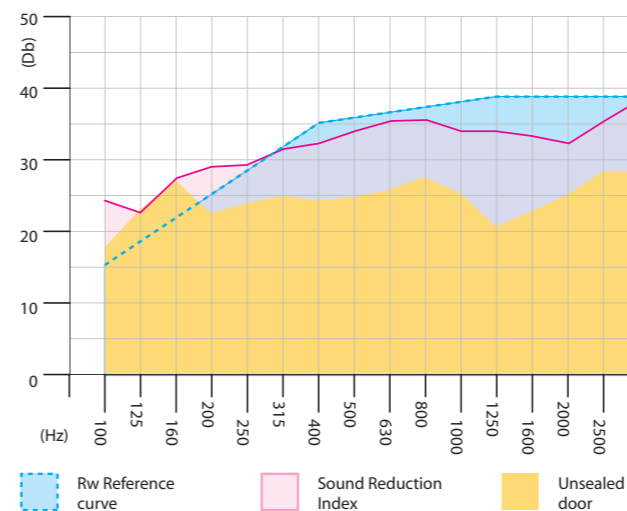
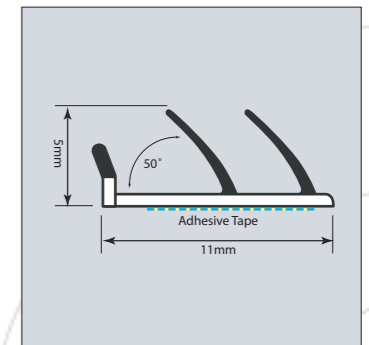
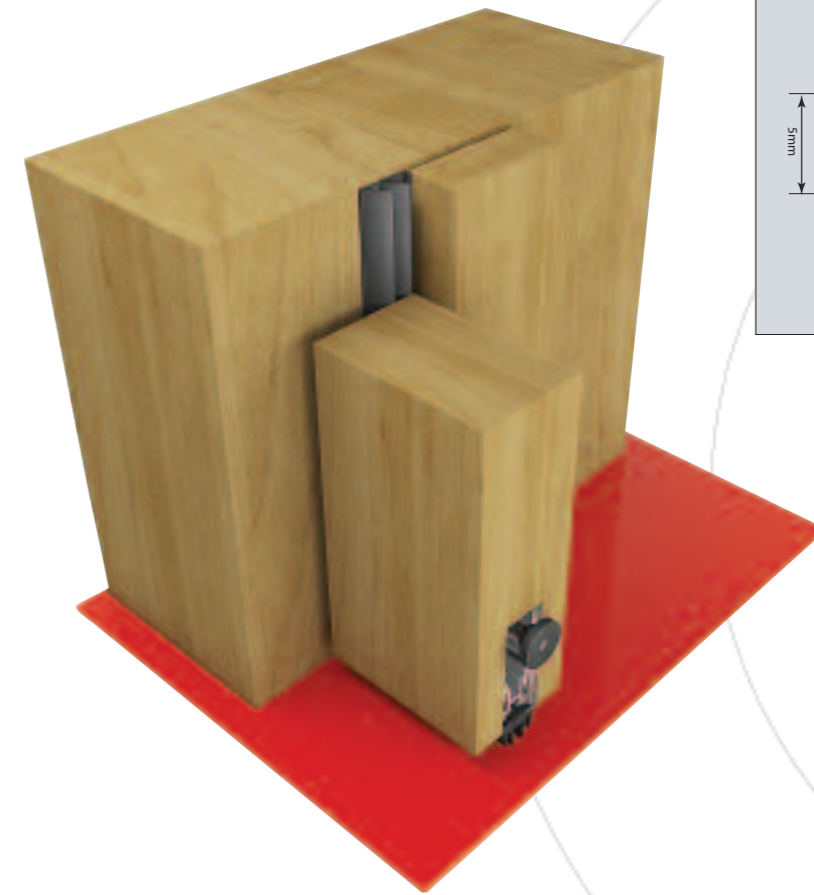
The fitting of an acoustic perimeter seal will help to dramatically improve the effectiveness of the doorset assembly, in terms of noise permeation, smoke and air movement through the perimeter gap.

APPLICATION

- Pedestrian doorsets, single and double leaf constructions
- Surface mounted substrates: timber, steel, composite materials
- Latched and unlatched doors
- New build or retro-fit applications

PRODUCT FEATURES

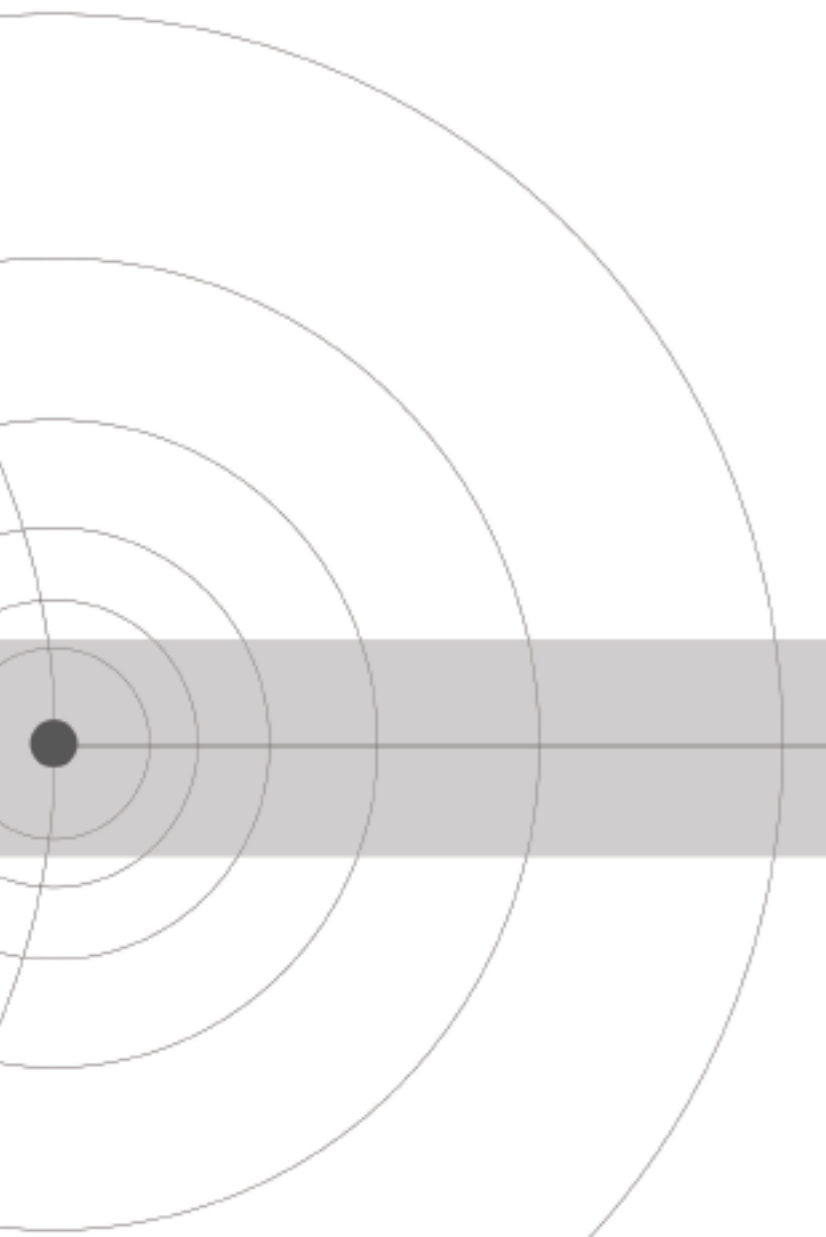
- Excellent compression and deflection performance
- Low closing forces due to low co-efficient material used in integral fins
- Supplied with a high performance adhesive backing



ACOUSTIC PERFORMANCE

Testing undertaken in accordance with BS EN ISO 240-3:1995 revealed a timber doorset assembly with no seals fitted around the perimeter of the doorset achieved a Rw23dB rating. This falls well below the minimum specified in Approved Document E which is Rw29dB. When tested again with FAS Perimeter Seal in conjunction with FAS Drop Down there was an increase in the performance to Rw36dB (Tested) depending on doorsets. Please check test table for exact results.





FIRE AND ACOUSTIC SEALS

UNITS 6 -11
 SPARTAN INDUSTRIAL ESTATE
 BRICKHOUSE LANE
 GREAT BRIDGE
 BIRMINGHAM
 WEST MIDLANDS
 B70 0DH

TEL: 0121 521 2179
 FAX: 0121 521 2183
 EMAIL: INFO@FASMAIL.CO.UK
 WEB: WWW.FASMAIL.CO.UK

UP TO 45dB RATED

APPLICATION

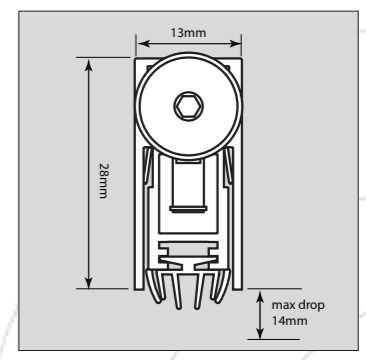
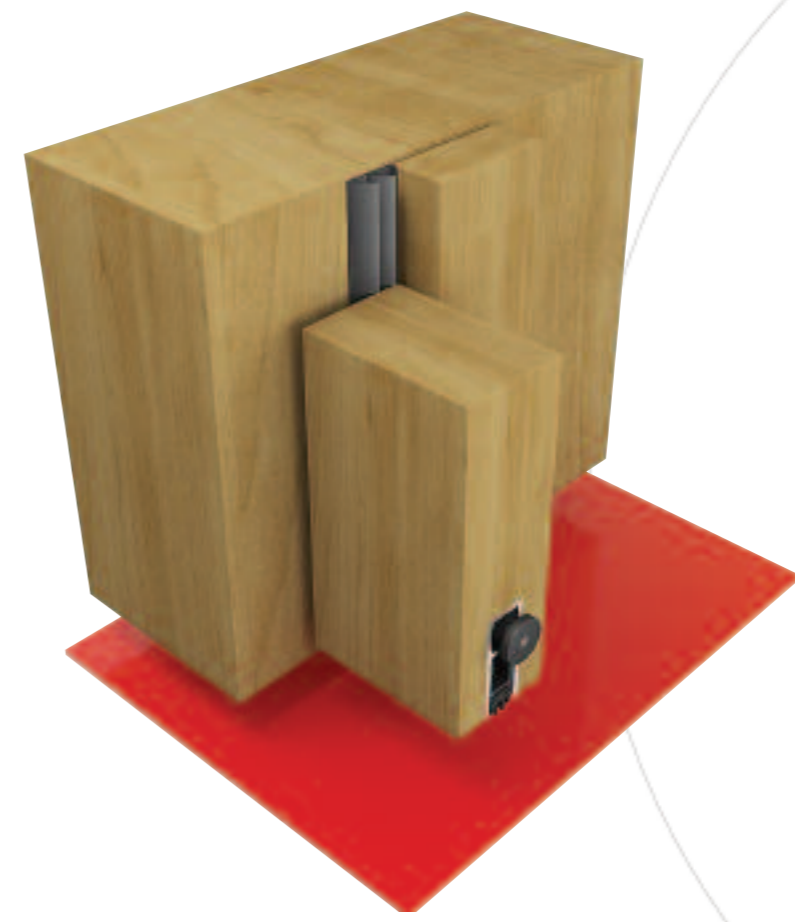
- Wooden door assemblies
- Security doors

LENGTHS

Lengths available to suit all door sizes ranging from 300mm to 1130mm. Longer lengths available on request.

TRIMMING LENGTHS

- 100mm side opposite plunger.



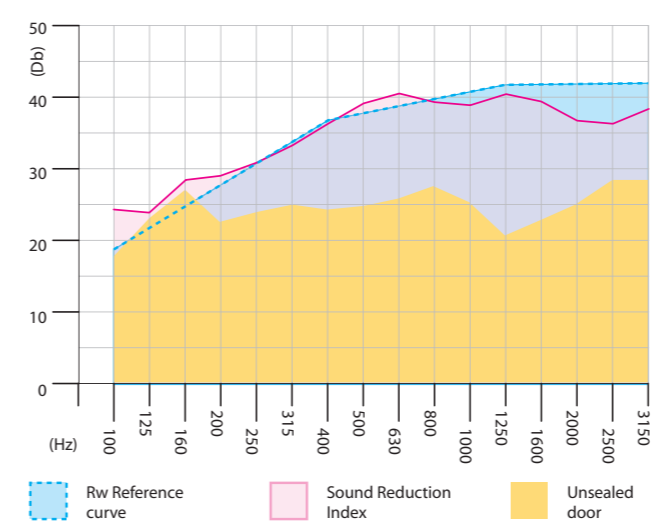
PRODUCT FEATURES

- Pre-fitted screws for quick cost effective fixing
- Seal drops on hinge side before lock side
- Seal removable to assist installation/replacement
- 14mm maximum drop
- Galvanised steel flat springs and reinforced actuators
- 2 fin high quality 'V' zero class PVC rubber coextruded seal and carrier, self extinguishing, in aluminium body

45dB RATED

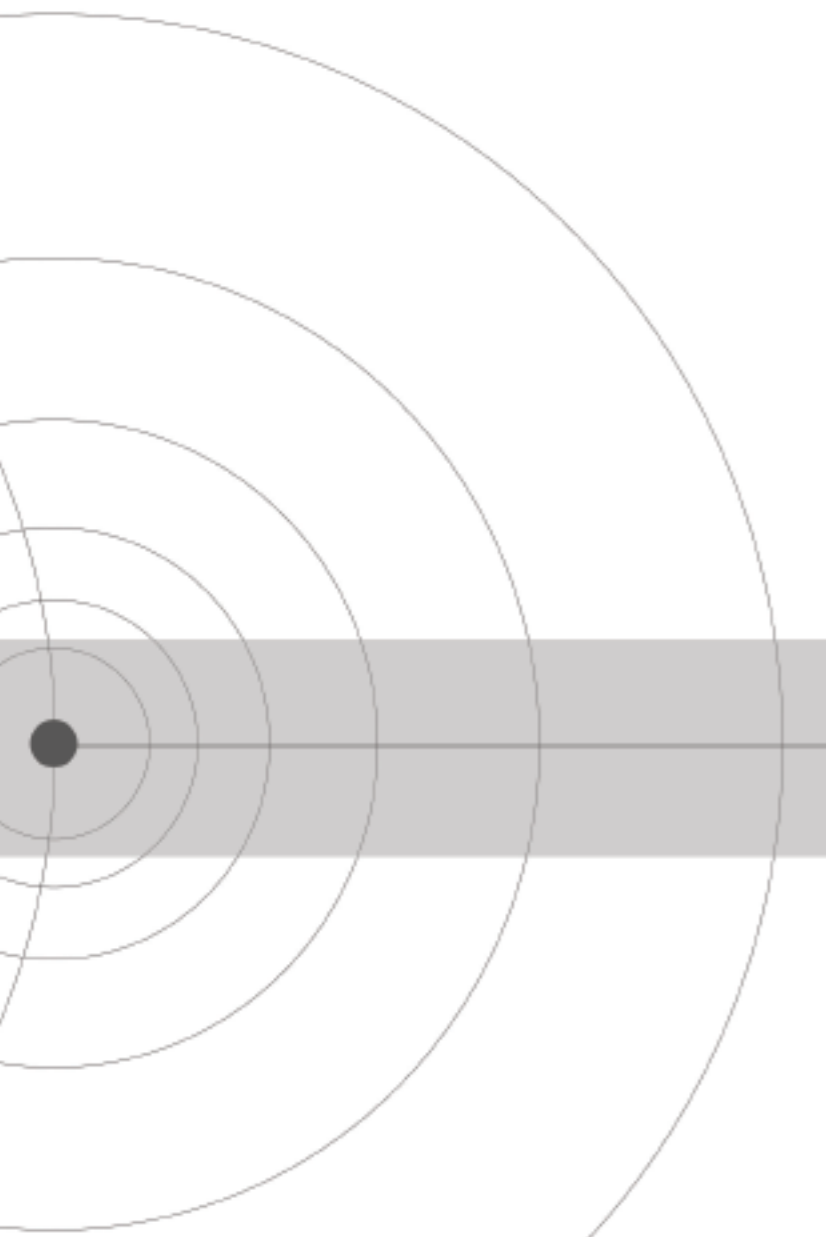


ACOUSTIC SEALS: FAS DROP DOWN SEAL



ACOUSTIC PERFORMANCE

Testing undertaken in accordance with BS EN ISO 240-3:1995 revealed a timber doorset assembly with no seals fitted around the perimeter of the doorset achieved a R_w 23dB rating. This falls well below the minimum specified in Approved Document E which is R_w 29dB. When tested again with FAS Corner Seal in conjunction with FAS Drop Down there was an increase in the performance of up to R_w 45dB (Tested) depending on doorsets. Please check test table for exact results.



FIRE AND ACOUSTIC SEALS

UNITS 6 -11
 SPARTAN INDUSTRIAL ESTATE
 BRICKHOUSE LANE
 GREAT BRIDGE
 BIRMINGHAM
 WEST MIDLANDS
 B70 0DH

TEL: 0121 521 2179
 FAX: 0121 521 2183
 EMAIL: INFO@FASMAIL.CO.UK
 WEB: WWW.FASMAIL.CO.UK

UP TO 37dB RATED

APPLICATION

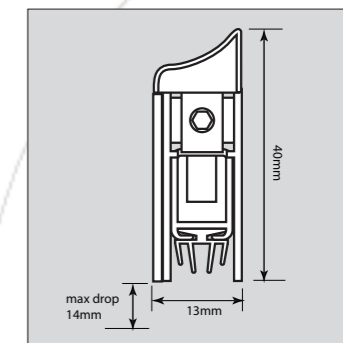
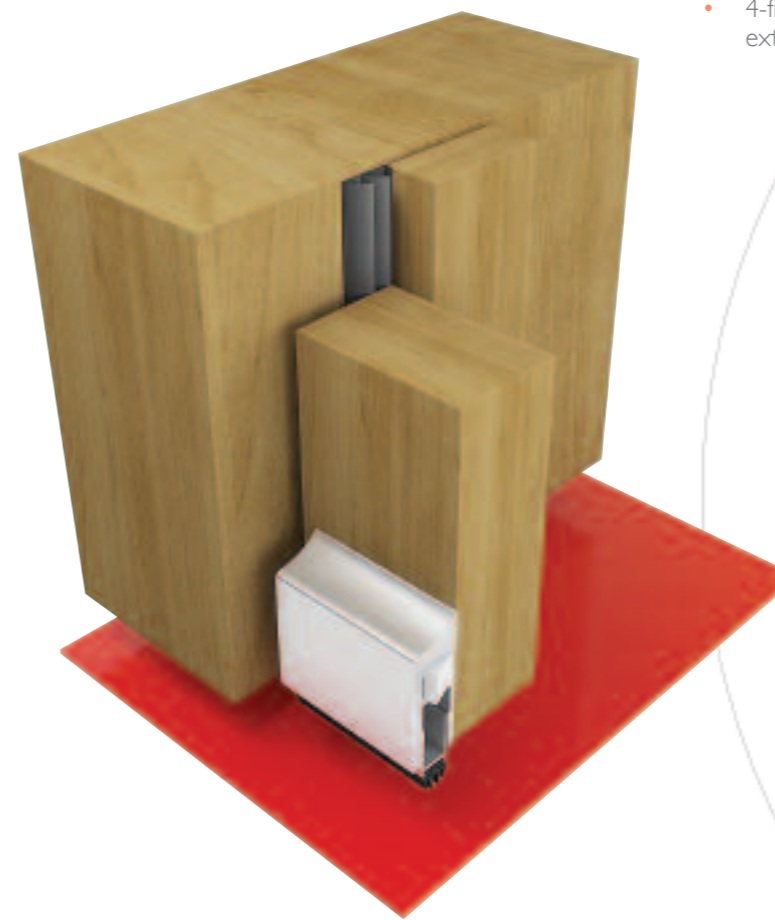
- Wooden and metal door assemblies

LENGTHS

330 - 430 - 530 - 630 - 730 - 830 - 930 - 1030 - 1130mm
 Special orders 1330 - 1430 - 1530 - 1630 - 1730 - 1830

TRIMMING LENGTHS

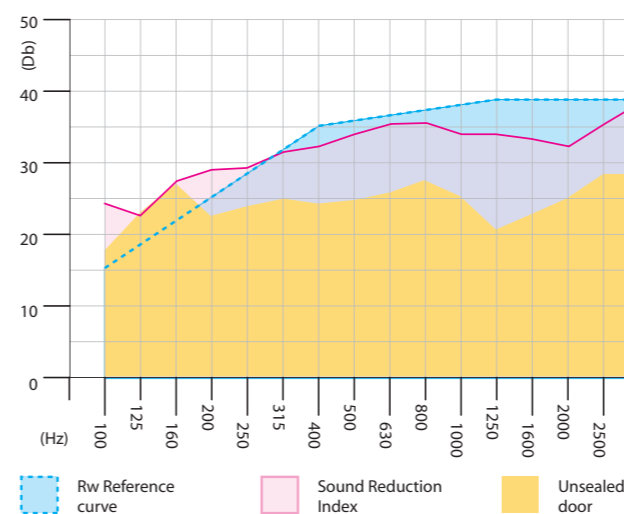
- Maximum trimming length: 150mm



FAS RETRO-FIT DROP DOWN SEAL

PRODUCT FEATURES

- Retro-fit
- Screws fix (screws supplied)
- Can be fitted to inside (lock side using bumper provided) or outside of the door
- Satin Anodised Aluminium finish - Also available in white, brown and gold anodised to special order
- Seal drops on hinge side before lock side
- 14mm maximum drop
- Galvanised steel flat springs and reinforced actuators
- 4-fin high quality 'V' zero class PVC rubber seal, self extinguishing



ACOUSTIC PERFORMANCE

Testing undertaken in accordance with BS EN ISO 240-3:1995 revealed a timber doorset assembly with no seals fitted around the perimeter of the doorset achieved a R_w 23dB rating. This falls well below the minimum specified in Approved Document E which is R_w 29dB. When tested again with FAS Perimeter Seal in conjunction with FAS Retro-fit Drop Down there was an increase in the performance to R_w 37dB (Tested) depending on doorsets. Please check test table for exact results.

37dB RATED



ACOUSTIC SEALS: FAS RETRO-FIT DROP DOWN SEAL